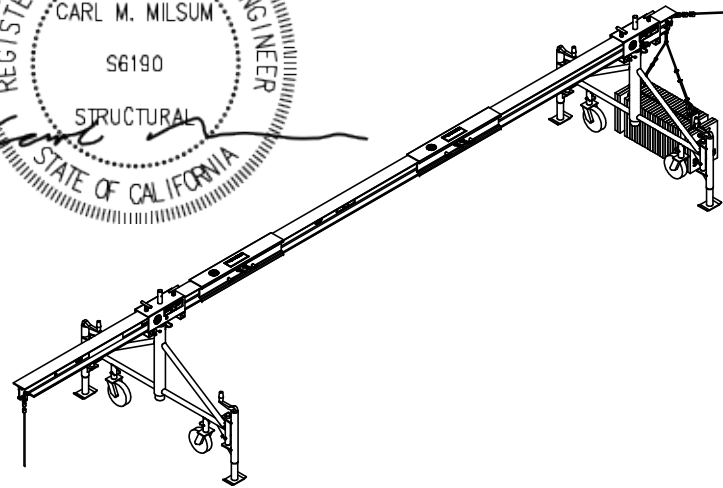
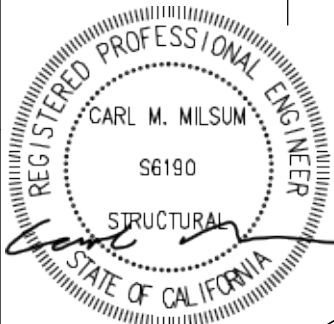
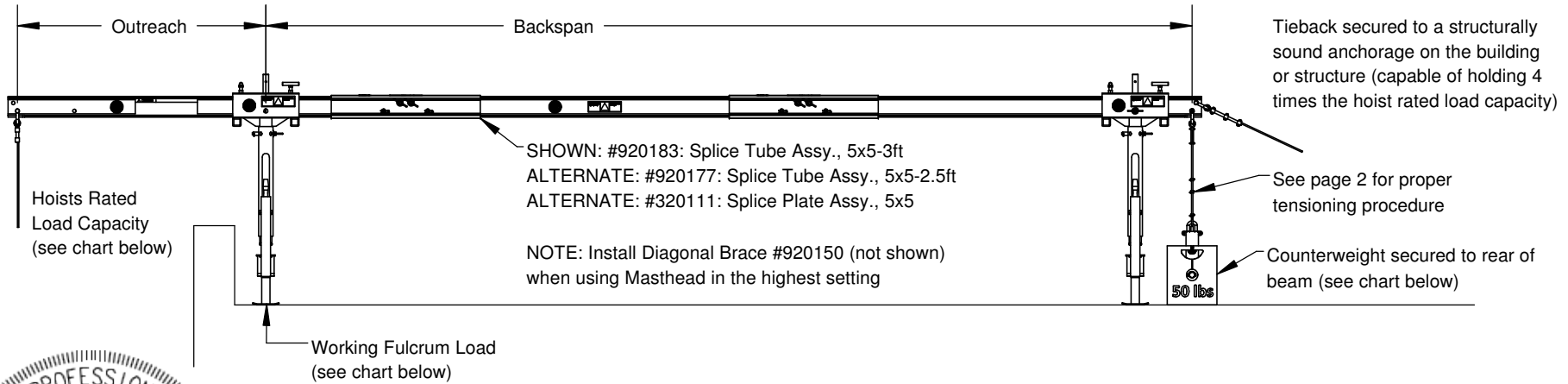


ITEM NO.	QTY.	PART NO.	DESCRIPTION
1	2	920115	Adjustable Caster Dolly, 5X5
2	4	823104	Scaffold Caster, 8" HD900
3	4	520125	Jack Assembly, Caster Dolly
4	2	620101	H-Beam, 5x5 Front/Back 8ft
5	1	620102	H-Beam, 5x5 Middle 8ft
6	2	920183	Splice Tube Assembly, 3ft
7	See Chart	820104	50lb Counterweight



Outreach (ft)	1,000 lb Hoist Rated Capacity			1,250 lb Hoist Rated Capacity			1,500 lb Hoist Rated Capacity		
	50lb counterweights required	Working Fulcrum Load		50lb counterweights required	Working Fulcrum Load		50lb counterweights required	Working Fulcrum Load	
		Total (lb)	Per Leg (lb)		Total (lb)	Per Leg (lb)		Total (lb)	Per Leg (lb)
1.0	4	1044	522	5	1305	653	6	1566	783
1.5	6	1068	534	7	1335	668	8	1602	801
2.0	8	1092	546	10	1365	683	11	1639	820
2.5	10	1118	559	12	1398	699	15	1677	839
3.0	12	1445	723	15	1432	716	18	1718	859
3.5	14	1174	587	18	1467	734	21	1760	880
4.0	17	1203	602	21	1504	752	NA	NA	NA
4.5	19	1235	618	NA	NA	NA	NA	NA	NA
5.0	22	1268	634	NA	NA	NA	NA	NA	NA

⚠ WARNING:

- Failure to properly install and use this product may result in death or serious injury. Follow the manufacturer's instruction manual. Suspended Scaffold Systems must be installed and dismantled by, or under the supervision of, a trained and competent person.
- Bee Access declines any responsibility for any special layouts, rigging or structural combinations beyond the descriptions of this drawing, or components manufactured by others. Any installation of this equipment other than in strict accordance with this drawing shall be at the Operator's risk.
- Designed to be used with Bee Access components only.
- Never let the equipment be moved or operated by unauthorized personnel.
- Never load this equipment above its rated load capacity.
- Do not alter any products and never use it for purposes or in ways for which it was not intended.
- Inspect all equipment before each use. Never use damaged equipment.
- Read and comply with the "Code of Safe Practices for Suspended Powered Scaffolds" issued by the Scaffold & Access Industry Association (available from your supplier).

The information contained in this drawing is the sole property of Bee Access Products. Any reproduction in part or whole without the written permission of Bee Access Products is strictly prohibited.



24ft Rolling Outrigger (counterweights on ground)

Scale: 1:40
Do not scale drawing.
Weight: LBS
Approvals: Drawn: BJA
By: BJA
Date: 01-17-17

Product Line/Project: **Rigging**
REV. **2**
Part No. LR1007-116
Sheet 1 of 2

5

4

3

2

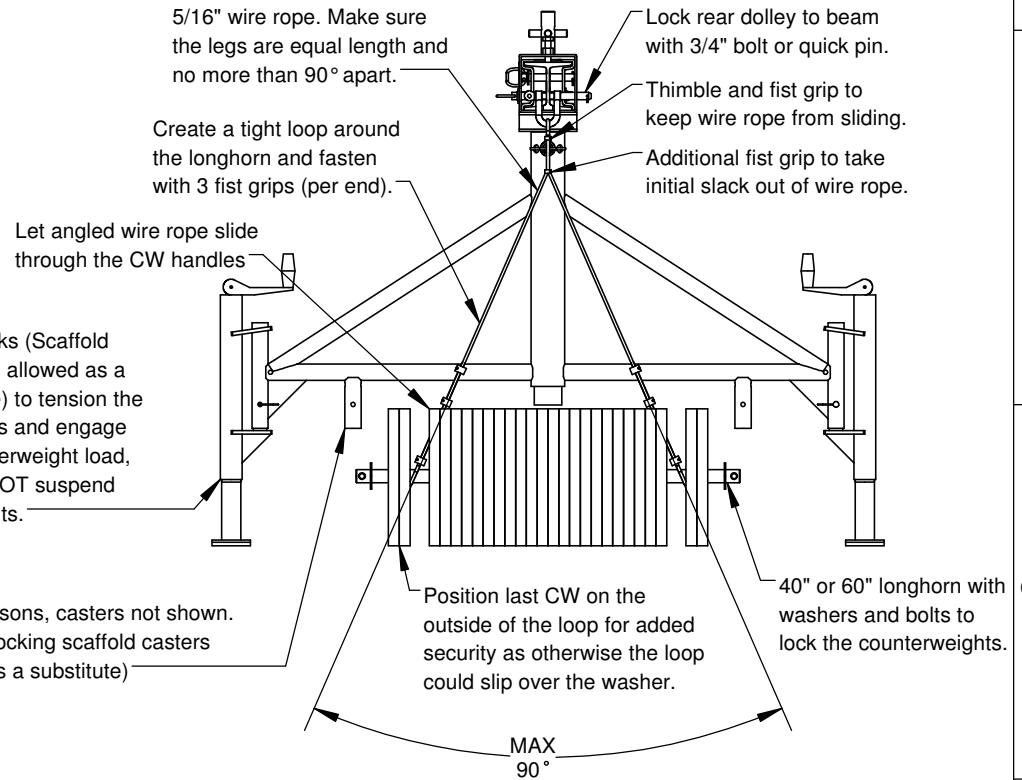
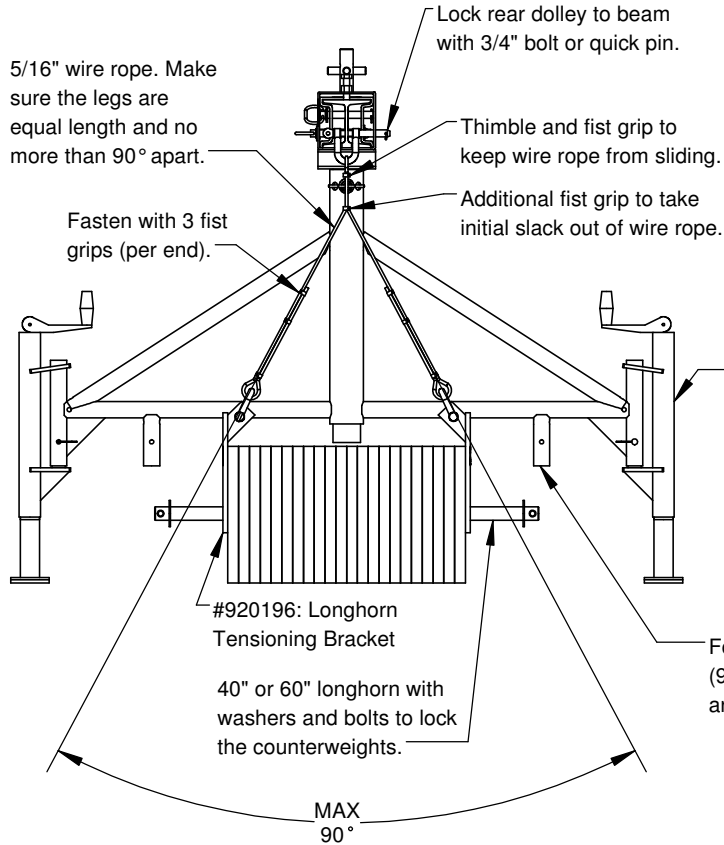
1

Shown with Longhorn Tensioning Bracket

NOTE: Install Diagonal Brace #920150 (not shown) when using Masthead in the highest setting

Shown w/o Longhorn Tensioning Bracket

NOTE: Install Diagonal Brace #920150 (not shown) when using Masthead in the highest setting



⚠ WARNING:

- Failure to properly install and use this product may result in death or serious injury. Follow the manufacturer's instruction manual. Suspended Scaffold Systems must be installed and dismantled by, or under the supervision of, a trained and competent person.
- Bee Access declines any responsibility for any special layouts, rigging or structural combinations beyond the descriptions of this drawing, or components manufactured by others. Any installation of this equipment other than in strict accordance with this drawing shall be at the Operator's risk.
- Designed to be used with Bee Access components only.
- Never let the equipment be moved or operated by unauthorized personnel.
- Never load this equipment above its rated load capacity.
- Do not alter any products and never use it for purposes or in ways for which it was not intended.
- Inspect all equipment before each use. Never use damaged equipment.
- Read and comply with the "Code of Safe Practices for Suspended Powered Scaffolds" issued by the Scaffold & Access Industry Association (available from your supplier).

The information contained in this drawing is the sole property of Bee Access Products. Any reproduction in part or whole without the written permission of Bee Access Products is strictly prohibited.



24ft Rolling Outrigger (counterweights on ground)

Scale 1:20	Do not scale drawing.	Weight: LBS
Approvals Drawn	By: BJA	Date: 01-17-17

Product Line/Project: Rigging	REV. 2
Part No. LR1007-116	Sheet 2 of 2

5

4

3

2

1