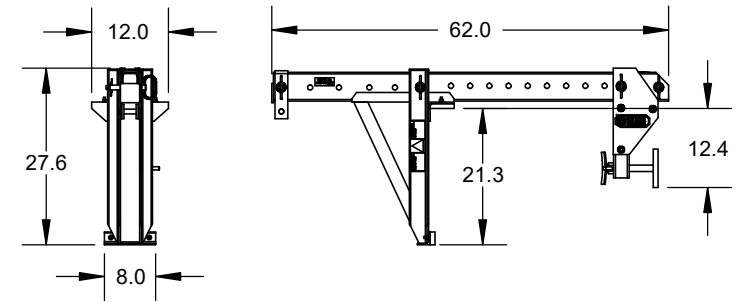
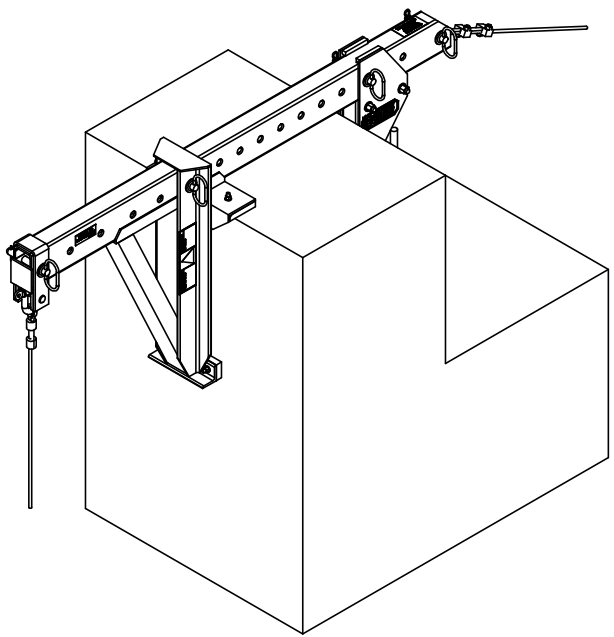
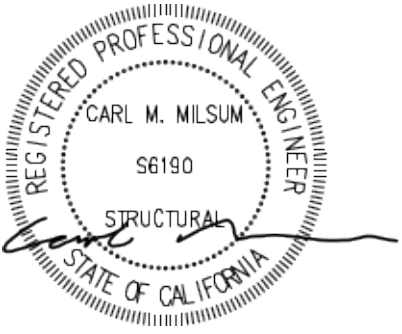


Outreach (in)	1,000 lb Hoist		1,500 lb Hoist	
	Working Load (F)	Incl. 4:1 Safety Factor	Working Load (F)	Incl. 4:1 Safety Factor
16.0"	1,482 lb	5,928 lb	2,223 lb	8,892 lb
20.0"	1,852 lb	7,408 lb	2,778 lb	11,112 lb
24.0"	2,223 lb	8,892 lb	3,334 lb	13,336 lb

When using a 1,000 lb rated hoist at a 24" outreach:

$$F = 24" \times 1,000 \text{ lb} / (20.2" - 9.4") = 2,223 \text{ lb working load (8,892 lb incl. safety factor)}$$



920152 Replacement Parts:	
Part #	Description
823110	Parapet Clamp, Front Pad
823109	Parapet Clamp, Top Pad
110221-5	Bolt, 5/16"-18 x 1.5"
110421	Washer, 5/16 Flat
110322	Nut, Lock 5/16"-18
320102	Screw Parapet Clamp, 7"
320104	Screw w/ Plate, Parapet Clamp Alum
320118	Pressure Plate, Parapet Clamp
520138	Parapet Clamp, Jam Nut

D	Updated Bee Logo	TBO	10-27-21												
REV	Revision Description	By	Date												
<b>DEBUR AND BREAK SHARP EDGES</b>															
Material: Assembly				Weight (lb):											
Treatment: N/A		Raw matt:													
Length (in):		Dimensions in [ ] are in mm Tol. ISO 2768-m <table border="1"> <tr> <td>&gt;</td> <td>0,5</td> <td>6</td> <td>30</td> <td>120</td> <td>400</td> </tr> <tr> <td>&lt;</td> <td>6</td> <td>30</td> <td>120</td> <td>400</td> <td></td> </tr> </table>		>	0,5	6	30	120	400	<	6	30	120	400	
>	0,5	6	30	120	400										
<	6	30	120	400											
Scale 1:16 Size B/A3		The information contained in this drawing is the sole property of Bee Access Products. Any reproduction in part or whole without the written permission of Bee Access Products is strictly prohibited.													
CAD generated drawing. Do not manually update. Do not scale drawing.		Parapet Clamp, Aluminum Application													
Approvals By: BJA Date: 08-18-14		Product Line/Project: <b>Rigging</b>													
Drawn BJA 08-18-14		REV. <b>D</b>													
Approved BJA 10-27-21		Part No. 920152 App													
		Sheet 1 of 1													