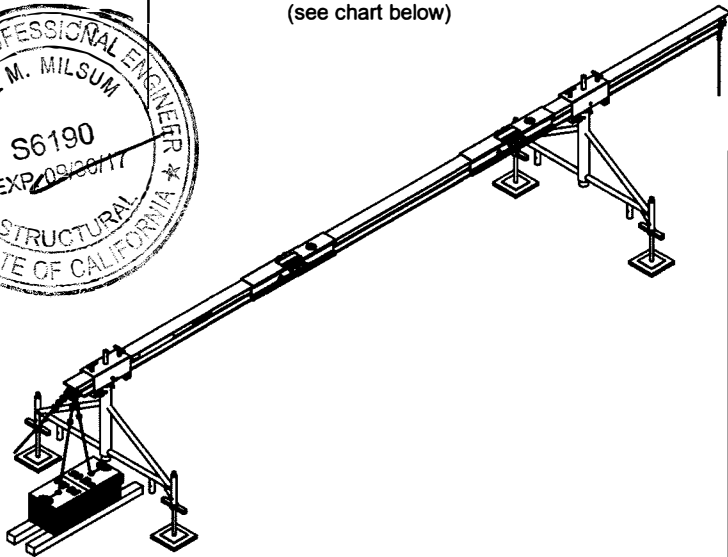
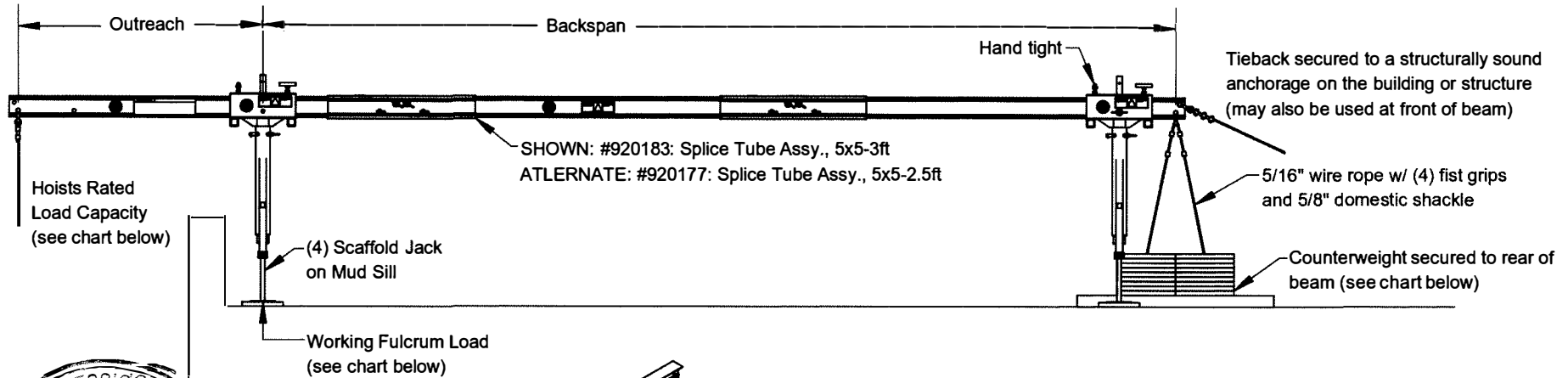


| ITEM NO. | QTY. | PART NO. | DESCRIPTION |
|----------|------|----------|------------------------------|
| 1 | 2 | 920115 | Adjustable Caster Dolly, 5X5 |
| 2 | 2 | 620101 | H-Beam, 5x5 Front/Back 8ft |
| 3 | 1 | 620102 | H-Beam, 5x5 Middle 8ft |
| 4 | 2 | 920183 | Splice Tube Assembly, 3ft |
| 5 | 4 | 823106 | Scaffold Jack |
| 6 | 4 | N/A | Mud Sill |
| 7 | - | 820104 | Counterweight, 50lb |



| Outreach (ft) | 1,000 lb Hoist Rated Capacity | | | 1,250 lb Hoist Rated Capacity | | | 1,500 lb Hoist Rated Capacity | | |
|---------------|-------------------------------|----------------------|--------------|-------------------------------|----------------------|--------------|-------------------------------|----------------------|--------------|
| | 50lb counterweights required | Working Fulcrum Load | | 50lb counterweights required | Working Fulcrum Load | | 50lb counterweights required | Working Fulcrum Load | |
| | | Total (lb) | Per Leg (lb) | | Total (lb) | Per Leg (lb) | | Total (lb) | Per Leg (lb) |
| 1.0 | 4 | 1044 | 522 | 5 | 1305 | 653 | 6 | 1566 | 783 |
| 1.5 | 6 | 1068 | 534 | 7 | 1335 | 668 | 9 | 1602 | 801 |
| 2.0 | 8 | 1092 | 546 | 10 | 1365 | 683 | 11 | 1639 | 820 |
| 2.5 | 10 | 1118 | 559 | 12 | 1398 | 699 | 15 | 1677 | 839 |
| 3.0 | 12 | 1145 | 573 | 15 | 1432 | 716 | 18 | 1718 | 859 |
| 3.5 | 14 | 1174 | 587 | 18 | 1467 | 734 | 21 | 1760 | 880 |
| 4.0 | 17 | 1203 | 602 | 21 | 1504 | 752 | NA | NA | NA |
| 4.5 | 19 | 1235 | 618 | NA | NA | NA | NA | NA | NA |
| 5.0 | 22 | 1268 | 634 | NA | NA | NA | NA | NA | NA |

⚠ WARNING:

- This is an approved supplement to the manufacturer's instruction manual.
- Failure to properly install and use this product may result in death or serious injury. Follow the manufacturer's instruction manual. Suspended Scaffold Systems must be installed and dismantled by, or under the supervision of, a trained and competent person.
- Bee Access declines any responsibility for any special layouts, rigging or structural combinations beyond the descriptions of this drawing, or components manufactured by others. Any installation of this equipment other than in strict accordance with this drawing shall be at the Operator's risk.
- Designed to be used with Bee Access components only.
- Never let the equipment be moved or operated by unauthorized personnel.
- Never load this equipment above its rated load capacity.
- Do not alter any products and never use it for purposes or in ways for which it was not intended.
- Inspect all equipment before each use. Never use damaged equipment.
- Read and comply with the "Code of Safe Practices for Suspended Powered Scaffolds" issued by the Scaffold & Access Industry Association (available from your supplier).

The information contained in this drawing is the sole property of Bee Access Products. Any reproduction in part or whole without the written permission of Bee Access Products is strictly prohibited.



24ft Outrigger Stand (counterweights on ground)

| | | | | | |
|-----------|-----------------------|----------|-----------------------|--|--------------|
| Scale | Do not scale drawing. | Weight: | Produ & Line/Project: | | REV. |
| 1:40 | | LBS | Rigging | | 1 |
| Approvals | By: | Date: | Part No. LR1007-116E | | Sheet 1 of 1 |
| Drawn | BJA | 01-17-17 | | | |