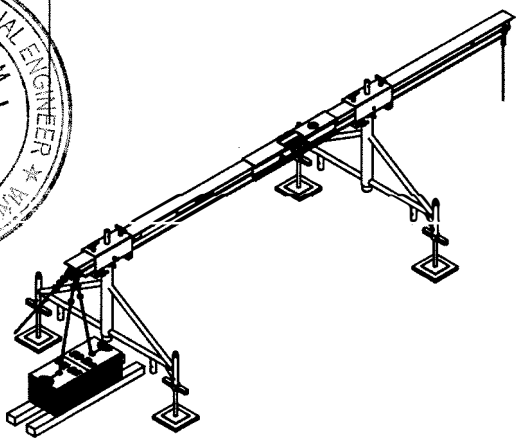
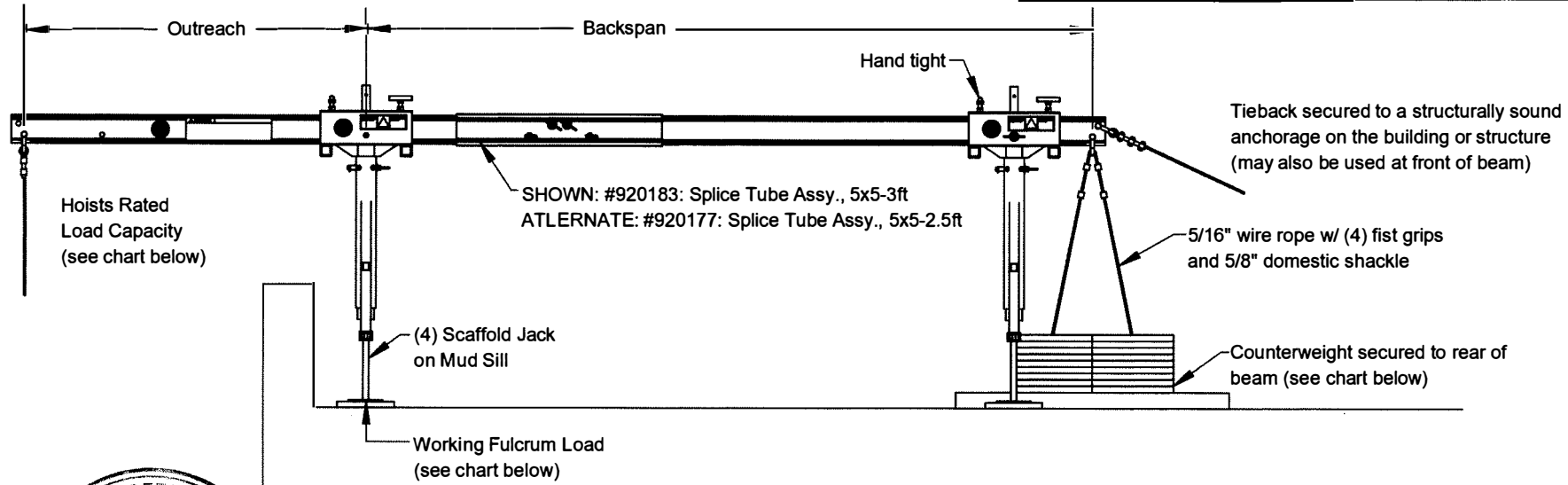


ITEM NO.	QTY.	PART NO.	DESCRIPTION
1	2	920115	Adjustable Caster Dolly, 5X5
2	2	620101	H-Beam, 5x5 Front/Back 8ft
3	1	920183	Splice Tube Assembly, 3ft
4	4	823106	Scaffold Jack
5	4	N/A	Mud Sill
6	-	820104	Counterweight, 50lb



Outreach (ft)	1,000 lb Hoist Rated Capacity			1,250 lb Hoist Rated Capacity			1,500 lb Hoist Rated Capacity		
	50lb counterweights required	Working Fulcrum Load		50lb counterweights required	Working Fulcrum Load		50lb counterweights required	Working Fulcrum Load	
		Total (lb)	Per Leg (lb)		Total (lb)	Per Leg (lb)		Total (lb)	Per Leg (lb)
1.0	6	1068	534	7	1335	668	8	1602	801
1.5	9	1106	553	11	1382	691	13	1659	829
2.0	12	1146	573	15	1433	716	18	1720	860
2.5	15	1190	595	19	1487	744	23	1785	892
3.0	19	1237	618	24	1546	773	29	1855	928
3.5	23	1288	644	29	1610	805	35	1932	966
4.0	28	1343	671	34	1679	839	NA	NA	NA
4.5	32	1403	701	NA	NA	NA	NA	NA	NA
5.0	38	1469	734	NA	NA	NA	NA	NA	NA

⚠ WARNING:

- This is an approved supplement to the manufacturer's instruction manual.
- Failure to properly install and use this product may result in death or serious injury. Follow the manufacturer's instruction manual. Suspended Scaffold Systems must be installed and dismantled by, or under the supervision of, a trained and competent person.
- Bee Access declines any responsibility for any special layouts, rigging or structural combinations beyond the descriptions of this drawing, or components manufactured by others. Any installation of this equipment other than in strict accordance with this drawing shall be at the Operator's risk.
- Designed to be used with Bee Access components only.
- Never let the equipment be moved or operated by unauthorized personnel.
- Never load this equipment above its rated load capacity.
- Do not alter any products and never use it for purposes or in ways for which it was not intended.
- Inspect all equipment before each use. Never use damaged equipment.
- Read and comply with the "Code of Safe Practices for Suspended Powered Scaffolds" issued by the Scaffold & Access Industry Association (available from your supplier).

The information contained in this drawing is the sole property of Bee Access Products. Any reproduction in part or whole without the written permission of Bee Access Products is strictly prohibited.



16ft Outrigger Stand (counterweights on ground)

Scale	Do not scale drawing	Weight: LBS	Product Line/Project:	REV.
1:30			Rigging	1
Drawn	BJA	Date: 03-28-17	Part No. LR1007-113E	Sheet 1 of 1