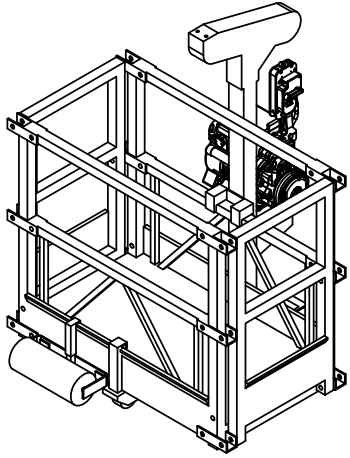


600 lb Maximum Distributed Load Capacity  
 Maximum point load: 120 lb/linear ft.



1	Released for project	BJA	03-17-11
REV	Revision Description	By	Date
<b>DEBUR AND BREAK SHARP EDGES</b>			
Material: Assembly		Weight: 481 LBS	
Treatment: N/A			
Raw material part number:	Dimensions in [ ] are in mm Tol. ISO 2768-m		
Assembly	>	0,5	6 30 120 400
	<	6	30 120 400
 Scale Size 1:15 B/A3	TOL.	±0.1	±0.2 ±0.3 ±0.5 ±0.8
	Machined surfaces	12,5	
CAD generated drawing. Do not manually update. Do not scale drawing.		ISO 1302	
Unless otherwise stated tolerances in inches		Product Line/Project:	
Approvals	By: Date:	Fractions	Decimals
Drawn	BJA 03-17-11		Angles
Approved:	XX-XX-XX	X ± .060 XX ± .015 XXX ± .005	ALL ± .5°
		REV. 1	
		Part No. L1001-131	
		Sheet 1 of 1	



The information contained in this drawing is the sole property of Bee Access Products. Any reproduction in part or whole without the written permission of Bee Access Products is strictly prohibited.

**Low Profile 1m Workcage**

D

D

A

A

B

B

C

C

5

4

3

2

1